



# AMER-LUX

DIE-CAST ALUMINUM LED EMERGENCY LIGHTING-INTERIOR OR EXTERIOR

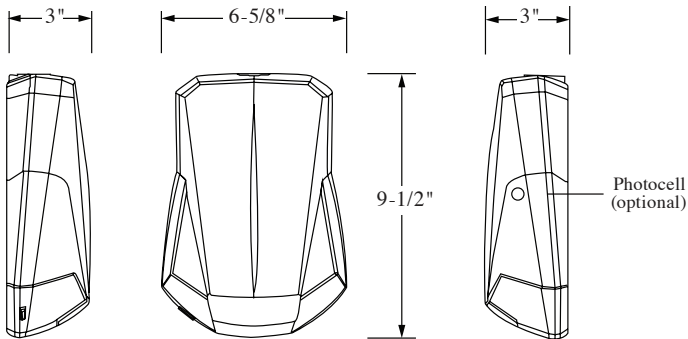


PROJECT: \_\_\_\_\_  
 FIXTURE TYPE: \_\_\_\_\_  
 LOCATION: \_\_\_\_\_  
 CONTACT/PHONE: \_\_\_\_\_



## DIMENSIONS

Dimensions are approximate and subject to change.



## HOUSING

- Indoor/outdoor suitable for wet location
- Die-cast aluminum housing
- UV-resistant (3" x 1.5") polycarbonate lens

## MOUNTING

- Wall mount
- 1/2" rigid conduit top entry
- Universal J-box mounting pattern

## LAMP TYPE

- Patent-pending light engine: four power LEDs with redundant connections
- 400-640 Lumens
- Color temperature: 5000K
- Optional forward-throw light distribution, for applications of outdoor egress
- Optional high-lumen output
- Optional dual-mode operation: normal and emergency LED lighting with separate AC inputs

## FINISH OPTIONS



## ELECTRONICS

- Pulse plus charger
- Low voltage disconnect
- Automatic brownout protection
- Battery lock-out
- Fused output circuit
- Standard Advanced Diagnostics
- 120/277 60Hz

## APPROVAL

- UL 924 listed
- NEMA-3R rated for indoor/outdoors cold-weather wet and damp locations: -20 to 40°C (-4 to 104°F)
- NYC approved

## WARRANTY

- Unit has a five-year limited warranty

NEMA-3R



Patent-Pending

## ORDERING INFORMATION

Model	Color	Operation	Options
AMER-LUX	B = Black	SD = Self-powered & diagnostic	CW = Cold weather [-40-86°F (-40-30°C) not available with option -H]
	BZ = Dark bronze	[-4-122°F (-20-50°C)]	D3 = Time delay (15 minutes)
	OW = Off-white	ACSD = Dual-mode AC / self-powered	FT = Forward throw lighting
	PG = Platinum gray	[-4-104°F (-20-40°C)]	H = High lumen output (max. 86°F/30°C; model SD only)
			P = Photocell (ACSD only)
			RC = Remote control test switch - infrared <sup>1</sup>

NOTE 1: For ACSD model only, remote control keypad (TB-RC1-E) ordered separately

Ordering Example: AMER-LUX-BZ-ACSD-RC



# AMER-LUX

DIE-CAST ALUMINUM LED EMERGENCY LIGHTING-INTERIOR OR EXTERIOR



PROJECT: \_\_\_\_\_  
 FIXTURE TYPE: \_\_\_\_\_  
 LOCATION: \_\_\_\_\_  
 CONTACT/PHONE: \_\_\_\_\_

## POWER CONSUMPTION

Model	AC Specs: 120/277VAC				
	Normal lighting		Emergency lighting		6-12VDC remote
	Current (max)	Power (max)	Current (max)	Power (max)	Power (max)
AC, 2AC, ACDC, DC (remote)	0.12/0.08A	12W	0.12/0.08A	12W	8W
AC-H, 2AC-H, ACDC-H, DC-H	0.18/0.11A	18W	0.18/0.11A	18W	14W
ACSD, SD, SD-H	0.12/0.06A	12W	0.05/0.02A	12W	-
SD-CW	-	-	0.15/0.07A	16W	-
ACSD-CWP, -CWRC <sup>1</sup>	-	-	0.22/0.10A	24W	-

<sup>1</sup>Note: ACSD cold weather models must be powered only from the unswitched emergency AC line

## PHOTOMETRIC PERFORMANCE - FORWARD THROW

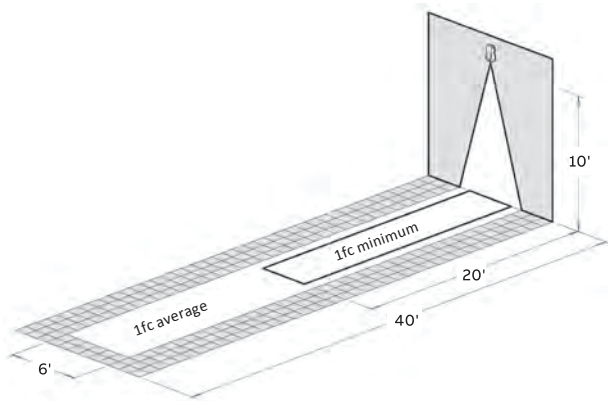


Table A – Spacing for minimum illumination = 1FC (1 foot-candle)

Model type	Mounting height	Lumen	Color temperature	Width X length (ft)	
				Single unit	Center-to-center
Standard	9'	400	5000K	4' x 28'	4' x 32'
With option -H	11'	550		4' x 32'	4' x 40'
With option -FT	12'	460		4' x 22'	-
With option -FTH	15'	640		4' x 27'	-

## PHOTOMETRIC PERFORMANCE - WIDE BEAM

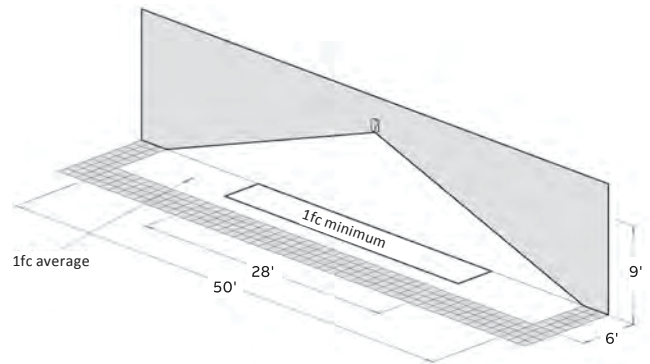


Table B – Spacing for NFPA101 – Average = 1FC (1 foot-candle)

Model type	Mounting height	Lumen	Color temperature	Width X length (ft)	
				Single unit	Center-to-center
Standard	9'	400	5000K	6' x 50'	4' x 32'
With option -H	11'	550		6' x 60'	4' x 40'
					3' x 70'
With option -FT	12'	460		6' x 40'	-
With option -FTH	15'	640		6' x 50'	-