



PELX
Economy Plastic Edgelit Exit Sign



PROJECT: _____
 FIXTURE TYPE: _____
 LOCATION: _____
 CONTACT/PHONE: _____



ILLUMINATION

- Ultra bright, energy efficient, long life Red or Green LEDs.
- UV-stabilized acrylic edgelit panel provides consistent, uniform illumination.
- Universal Single/Double face utilizes factory installed silver mylar background panel and stick-on mylar sheet.

HOUSING

- Injection-molded, engineering grade, 5VA flame retardant, high-impact resistant, thermoplastic in white, black or silver powder-coated finishes.
- Thermoplastic recessed-mount trim assembly is easily detachable from below, providing access to the housing. Available in white, black or silver powder-coated finishes.
- Self-adhesive Chevron appliques and guide template provided for directional indication.

ELECTRICAL

- Dual 120/277 voltage standard.
- Charge rate/power “ON” LED indicator light and push-to-test switch for mandated code compliance testing.
- 3.6V long life, maintenance-free, rechargeable NiCd battery (EM models only).
- Internal solid-state transfer switch automatically connects the internal battery to LED board for minimum 90-minute emergency illumination.
- Fully automatic solid-state, two rate charger initiates battery charging to recharge a discharged battery in 24 hours.
- Unique bi-color LED indicator light alerts occupant on battery condition (Green - normal, Red - check battery).

MOUNTING

- Plastic mounting canopy included for top, end or back mount of the Surface-version sign.
- Accessory offered (order separately) for a quick surface to recessed mount conversion in the field
- Bar hangers included with Recessed-version for drywall or drop ceiling mount installations.

WARRANTY

- Five year warranty on all electronics and housing. Battery prorated for five years.
- Meets UL924, NFPA 101 Life Safety Code, NEC, OSHA, Local and State Codes.
- UL Listed for damp locations (0°C – 50°C).
- Certified to CEC under Title 20 Regulations.



ORDERING INFORMATION

Model	No. of Faces	Letter Color	Panel	Housing Color	Battery	Accessories (Order Separately)
PELX	Blank = Universal Single/ Double Face	R= Red G = Green RG = Red/Green Switchable	M = Mirror	W = White B = Black S = Silver	Blank = AC-Only EM = Battery Backup	PRELX-KIT= Recessed-mount Conversion Kit X = W for White B for Black S for Silver

Ordering Example: PELX-R-M-W-EM



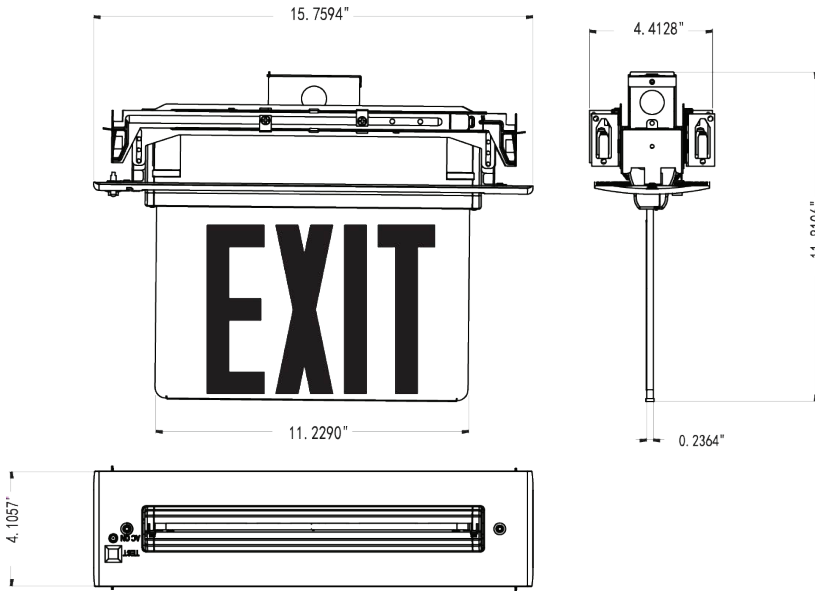
PELX
Economy Plastic Edgelit Exit Sign



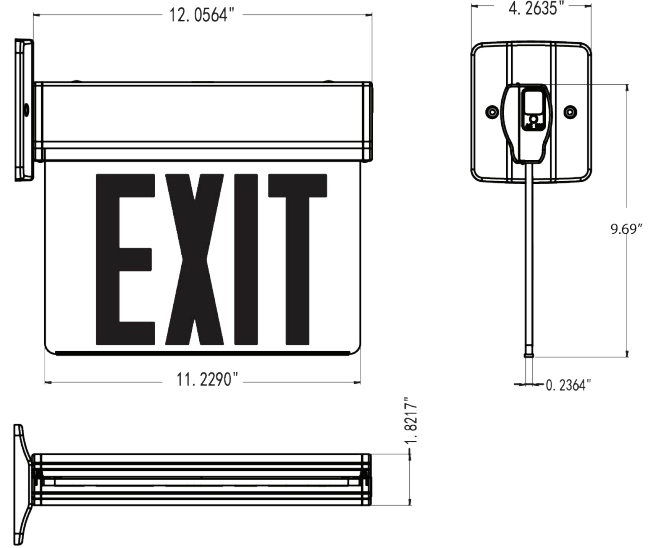
PROJECT: _____
 FIXTURE TYPE: _____
 LOCATION: _____
 CONTACT/PHONE: _____

DIMENSIONS

Recessed-mount version:



Surface-mount version:



ELECTRICAL INFORMATION

CATALOG NUMBER	INPUT WATTS (W)		INPUT AMPS (A)	
	120V	277V	120V	277V
PELX	1.3	1.3	0.17	0.17